



MUNICIPAL

OVERALL PROGRAM



55
YEARS OF QUALITY
since 1966

www.hydrac.com



QUALITY FROM HYDRAC

MORE THAN 55 YEARS





Due to centuries of experience in research/development and the use of modern production methods, we were able to gain market advantage in development and technology. Our quality management system according to ISO9001 ensures best quality and performance.

The HYDRAC production facilities in Upper Austria - the heart of Austria's main industrial region - have been extended several times within the last years. Latest CNC machines and robots ensure an economic production. Product range: Snow ploughs, winter service and municipal equipment, frontend loader, front linkage and front power take off.

Perfect service: Extensive consultation and quick customer service is at the top of HYDRAC's priorities! An additional plus: Special requests can be fulfilled in a short and easy way!

BUILT FOR THE
TOUGHEST USE





Industry



City



Forest



Country



Parking

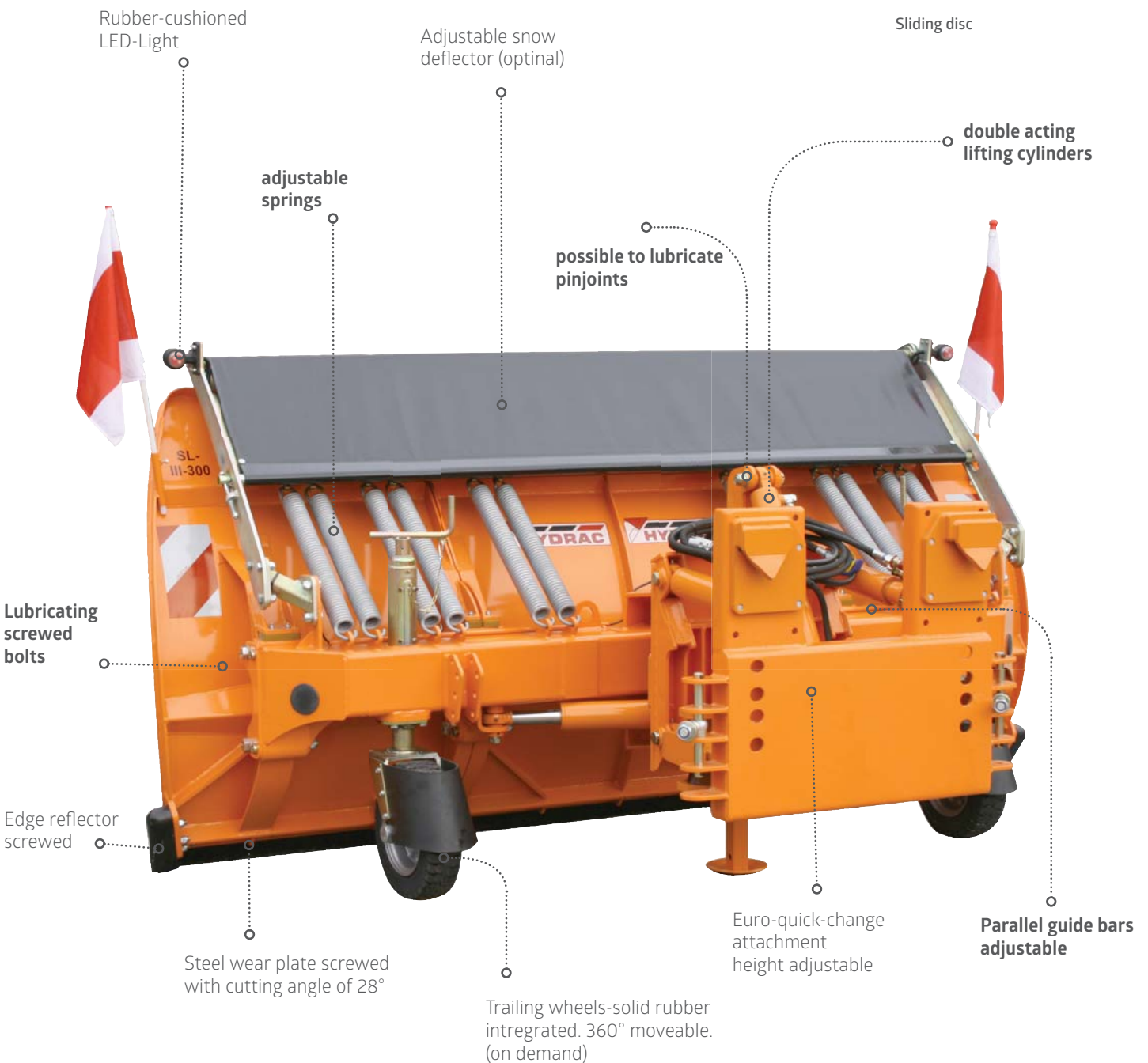


STRONG FEATURES FOR HYDRAC

HYDRAC Snow ploughs have proven themselves for years in the toughest operation. The sophisticated technology not only guarantees the best quality but also enormous operational safety. With HYDRAC you can always have a reliable partner at your side.



Sliding disc

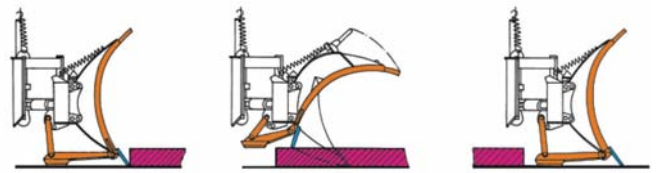


Very persistent surface quality via KTL-surfacecoating

PROFILINE PARABOLIC SNOW PLOUGHS

The specialty of the HYDRAC snow ploughs is, while over-running an obstacle, the affected plough segments makes a parabolic movement.

Due to the parabolic track the plough share is flapping over the obstacle. The plough share is sliding up and also moves backwards. This guarantees a very smooth driving. Obstacles up to 200 mm of height are no problem.



Smooth notching manner

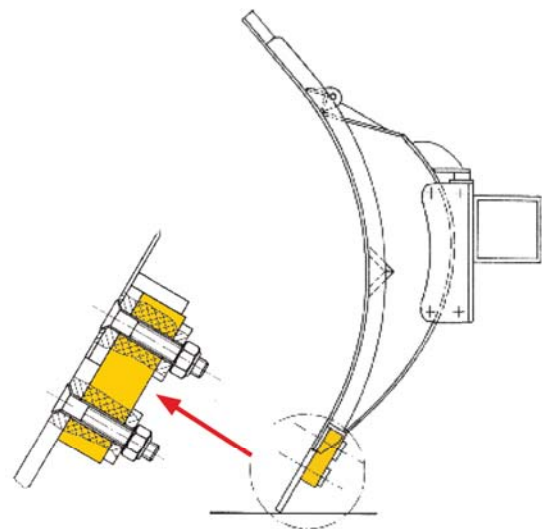


DESIGN FOR USE IN RESIDENTIAL AREA

With the City line you are the specialist in noise - sensitive areas. This construction reduces noise development because blade and wearplate are not connected directly any more with each other. The system provides also an additionally damping effect.

(See page 16)

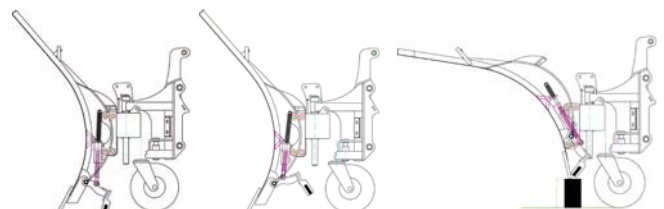
- ▶ very silently
- ▶ specially for use in residential areas
- ▶ soft, smooth notching manner



SEPERATE CLEANING EDGE

Cleaning edge with hydraulic adjustment – Releasing of the slush bar is guaranteed!

- ▶ Hydraulic lift lockable
- ▶ Releasing the slush bar
- ▶ High quality rubber wear plate fibre reinforced



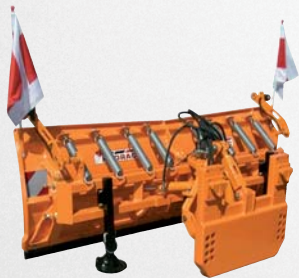
Up to 30% salt reduction

OVERALL PROGRAM

PROFILINE PARABOLIC SNOW PLOUGHS | PAGE 12

SNOW PLOUGH KL

KL-I / KL-II. for light operations .
parabolic released .
For tractors and transporters.



SNOW PLOUGH LB

LB-II / LB-III. parabolic released .
For 3- & 4-cylinder tractors, unimogs,
small trucks and transporters.



SNOW PLOUGH U

U-II / U-III / U-IV. parabolic released.
For 4- & 6-cylinder tractors, unimogs
and trucks.



SWIVEL LINK PLOUGH | PAGE 22

SNOW PLOUGH ES

ES-III, ES-IV. Swivel link
For tractors, unimogs, transporters
and trucks.



V-PLOUGH | PAGE 24

SERIES VP/VPS

Pointed-, side and V positioning
possible.
Spring folding and notching.
For 3- & 4-cylinder tractors, unimogs
and transporters.



SNOW BLADES | PAGE 26

SNOW BLADES UNI

Allround plough for front linkage, front-
loader, forklift and construction machine.



SPRING-LOADED SNOW BLADE | PAGE 30

SNOW BLADE FKU

For tractors with frontlinkage.



TELESCOPIC SNOW PLOUGH | PAGE 32

SNOW PLOUGH TKP

For trucks.



SNOW PLOUGH C

LB-C / U-C. Damping elements. specially for use in residential areas. For tractors, unimogs and trucks.



SNOW PLOUGH PT

PT-III . Single-blades suspension, parabolic released. For tractors, unimogs and trucks..



SNOW PLOUGH SL

SL-II / SL-III, SL-IV / SL-V. parabolic released . For 6-cylinder tractors, unimogs and LKW.



REAR SNOW BLADE | PAGE 29

SNOW BLADE SK

For compact tractors with front linkage, frontloader and forklift.



SNOW BLADE FKP

For light operations and grading work. For tractors.



SNOW BLADE HSS

For light operations and grading work. For tractors.



MOUNTING TYPE:



3-point attachment



Municipal plate



Wheel loader attachment

SERIES KL



SNOW PLOUGH KL

The little one - powerful and easy to use in lower altitudes!

Type	More blades, with parabolic released
Range	narrow tractors, small tractors and transporters
Mountingtype	3-point attachment or municipal frame

STANDARD EQUIPMENT

- ▶ Hydraulic lateral adjustment $\pm 33^\circ$ with overload protection
- ▶ Pivoted swivel compensation
- ▶ Slide disc
- ▶ Parking supports
- ▶ Special-steel cutting edge screwed (150 x 15 mm)
- ▶ Warning flags
- ▶ LED-Lightening
- ▶ Powder coated

OPTIONAL EQUIPMENT

- ▶ Trailing wheels-solid rubber,
- ▶ Snow deflector (plane) adjustable
- ▶ Rubber skirt for snow
- ▶ Textile strengthened rubber strip (190 x 40 mm)
- ▶ LED flash light

3-point attachment



Municipal plate



Quick coupling triangle





Type	Total width	Clearing width *	Blade height center/side	Plough blades	Weight on 3-point attachment	Weight on municipal frame
KL-I-140	1400 mm	1180 mm	700/700 mm	1	215 kg	-
KL-I-160	1600 mm	1340 mm	700/700 mm	1	225 kg	270 kg
KL-I-180	1800 mm	1510 mm	700/700 mm	1	250 kg	280 kg
KL-II-200	2000 mm	1700 mm	850/900 mm	2	325 kg	410 kg
KL-II-220	2200 mm	1840 mm	850/900 mm	2	345 kg	430 kg
KL-II-240	2400 mm	2100 mm	850/900 mm	2	370 kg	455 kg
KL-II-260	2600 mm	2180 mm	850/900 mm	2	390 kg	475 kg
KL-II-280	2800 mm	2345 mm	850/900 mm	2	410 kg	495 kg

* Clearing width 33° pivoting incl. edge reflector

SERIES LB



SNOW PLOUGH LB

Stable, compact and functional for first class snow removal quality! Ideal for town and country side at low altitudes!

Type	More blades, with parabolic released
Range	For 3- & 4-cylinder tractors, transporters, unimogs, small-trucks
Mountingtype	3-point attachment or municipal frame

STANDARD EQUIPMENT

- ▶ Hydraulic lateral adjustment $\pm 33^\circ$ with overload protection
- ▶ Pivoted swivel compensation
- ▶ Slide disc
- ▶ Parking supports
- ▶ Special-steel cutting edge screwed (150 x 20 mm)
- ▶ Warning flags
- ▶ LED-Lightening
- ▶ Powder coated

OPTIONAL EQUIPMENT

- ▶ Trailing wheels-solid rubber
- ▶ Pivoting device (swivel range approx. $\pm 14^\circ$)
- ▶ Parking vehicle
- ▶ Snow deflector (plane) adjustable
- ▶ Rubber skirt for snow
- ▶ Protective shield made of steel-rubber elements
- ▶ Textile strengthened rubber strip (190 x 50 mm)
- ▶ Combi cutting edge (195 x 36 mm)
- ▶ Mechanical release device MGE (see page 34) (only with municipal frame)
- ▶ Hydraulic load relief unit HGE (see page 34)
- ▶ LED flash light

3-point attachment



Municipal plate



Quick coupling triangle



Wheel loaders attachment





Type	Total width	Clearing width *	Blade height center/side	Plough blades	Weight on 3-point attachment	Weight on municipal frame
LB-II-240	2400 mm	1950 mm	900/1000 mm	2	460 kg	545 kg
LB-II-260	2600 mm	2180 mm	900/1000 mm	2	490 kg	575 kg
LB-II-280	2800 mm	2400 mm	900/1000 mm	2	520 kg	605 kg
LB-II-300	3000 mm	2550 mm	900/1000 mm	2	550 kg	635 kg
LB-III-280	2800 mm	2400 mm	900/1000 mm	3	540 kg	625 kg
LB-III-300	3000 mm	2550 mm	900/1000 mm	3	580 kg	665 kg

* Clearing width with 33° pivoting incl. edge reflector

SERIES U



SNOW PLOUGH U

The allrounder- highest quality guarantees perfect snow removal in all altitudes!

Type	Parabolic snow plough
Range	For 4- & 6-cylinder tractors, unimogs, trucks
Mountingtype	3-point attachment or municipal frame

3-point attachment



Municipal plate



Wheel loaders attachment



○ Frame thickness 8 mm

STANDARD EQUIPMENT

- ▶ Hydraulic lateral adjustment $\pm 33^\circ$ with overload protection
- ▶ Pivoted swivel compensation
- ▶ Longitudinal adjustable parallel guidance with joint bearings
- ▶ Slide disc
- ▶ Parking supports
- ▶ Special-steel cutting edge screwed (150 x 20 mm)
- ▶ Warning flags
- ▶ LED-Lightening
- ▶ Powder coated

OPTIONAL EQUIPMENT

- ▶ Parking vehicle
- ▶ Snow deflector (plane) adjustable
- ▶ Rubber skirt for snow
- ▶ Protective shield made of steel-rubber elements
- ▶ Guardrail shield
- ▶ Textile strengthened rubber strip (190 x 50 mm)
- ▶ Combi cutting edge (195 x 36 mm)
- ▶ Cleaning edge with hydraulic adjustment
- ▶ Mechanical release device MGE (see page 34) (only with municipal frame)
- ▶ Hydraulic accumulator HGE (see page 34)
- ▶ Trailing wheels-solid rubber
- ▶ Pivoting device (swivel range approx. $\pm 14^\circ$)
- ▶ LED flash light



Type	Total width	Clearing width *	Blade height center/side	Plough blades	Weight on 3-point attachment	Weight on municipal frame
U-II-280-L	2800 mm	2400 mm	1000/1100 mm	2	715 kg	795 kg
U-II-300	3000 mm	2550 mm	1100/1200 mm	2	820 kg	900 kg
U-II-320	3200 mm	2700 mm	1100/1200 mm	2	845 kg	925 kg
U-III-280-L	2800 mm	2400 mm	1000/1100 mm	3	795 kg	875 kg
U-III-300-L	3000 mm	2550 mm	1000/1100 mm	3	815 kg	895 kg
U-III-300	3000 mm	2550 mm	1100/1200 mm	3	870 kg	950 kg
U-III-320	3200 mm	2700 mm	1100/1200 mm	3	900 kg	980 kg
U-III-340	3400 mm	2850 mm	1100/1200 mm	3	930 kg	1010 kg
U-III-360	3600 mm	3000 mm	1100/1200 mm	3	960 kg	1040 kg
U-IV-340	3400 mm	2850 mm	1100/1200 mm	4	970 kg	1050 kg
U-IV-360	3600 mm	3000 mm	1100/1200 mm	4	1010 kg	1090 kg
U-IV-400	4000 mm	3300 mm	1100/1200 mm	4	-	1150 kg
U-IV-420	4200 mm	3550 mm	1100/1200 mm	4	-	1190 kg

* Clearing width with 33° pivoting incl. edge reflector

SERIES LB-C, U-C



SNOW PLOUGH CITY LINE

The cityline snow plough where specially created for cities and local areas.

This damping bar is in mounted between steel wear plate and the blade itself. This construction reduces noise development because blade and wearplate are not connected directly any more with eachother. The system provides also an additional damping effect.

Type	With damping bar
Range	For tractors, transporters, unimogs, trucks
Mountingtype	3-point attachment or municipal frame

3-point attachment



Municipal plate



Wheel loaders attachment



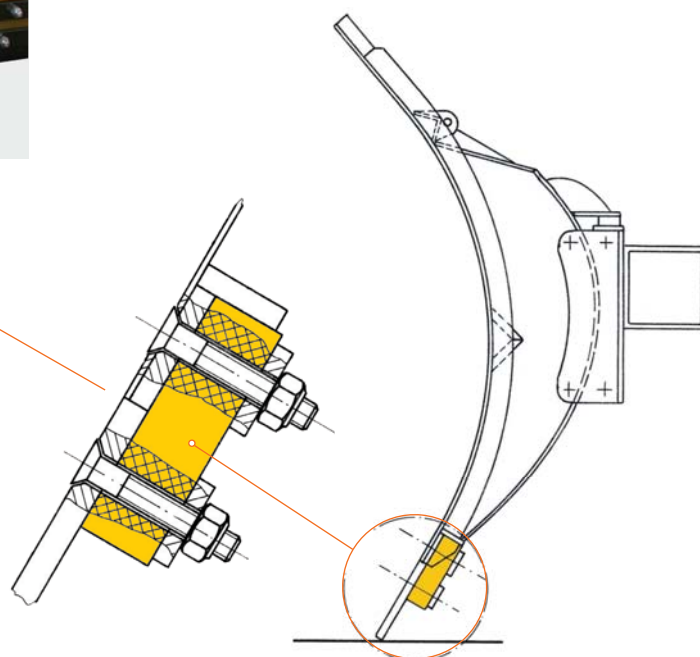
- ▶ very silently by the use of damping bar
- ▶ specially for use in residential areas
- ▶ soft, smooth notching manner

STANDARD EQUIPMENT

- ▶ Hydraulic lateral adjustment ± 33 Grad with overload protection
- ▶ Slide disc
- ▶ Parking supports
- ▶ Steel cutting edge 150 x 10mm
- ▶ Warning flags
- ▶ Lighting 12 V and 24 V-LED for tractors (pin connector 7-polig)
- ▶ Powder coated
- ▶ Municipal frame size 3 with plug in bolts
- ▶ Plug coupling connector (BG 3)
- ▶ Pivoted swivel compensation
- ▶ Damping bar

OPTIONAL EQUIPMENT

- ▶ Rubber skirt for snow
- ▶ Snow deflector (plane) adjustable
- ▶ Protective shield made of steel-rubber elements
- ▶ Guardrail shield
- ▶ Parking vehicle
- ▶ Electric-Hydraulic installation with an operator console
- ▶ Pivoting device (swivel range approx. ± 14°)
- ▶ Mechanical release device MGE (see page 34) (not possible to 3-point attachment)
- ▶ Hydraulic load relief unit HGE (see page 34) (mounted on tractor)



Damping bar

- ▶ very silently
- ▶ soft, smooth notching manner

Type	Total width	Clearing width *	Blade height center/side	Plough blades	Weight on 3-point attachment	Weight on municipal frame
LB-II-260-C	2600 mm	2180 mm	900/1000 mm	2	495 kg	575 kg
LB-II-280-C	2800 mm	2400 mm	900/1000 mm	2	525 kg	605 kg
LB-II-300-C	3000 mm	2550 mm	900/1000 mm	2	555 kg	635 kg
LB-III-280-C	2800 mm	2400 mm	900/1000 mm	3	545 kg	625 kg
LB-III-300-C	3000 mm	2550 mm	900/1000 mm	3	585 kg	665 kg
U-III-280-C	2800 mm	2400 mm	1000/1100 mm	3	840 kg	920 kg
U-III-300-C	3000 mm	2550 mm	1000/1100 mm	3	870 kg	950 kg
U-III-320-C	3200 mm	2700 mm	1000/1100 mm	3	900 kg	980 kg

* Clearing width with 33° pivoting incl. edge reflector

SERIES PT



fix 900 mm high
(Standard equipment)

Optional equipment
extension blade
up to 1050/1200 mm
optimal see page 19

3-point attachment



Municipal plate



Frame thickness 8 mm

SNOW PLOUGH PT

Our new star! Even for the hardest use! Built to clear!

The patented, newly developed system „ParaTec (PT)“ stands for single-rail suspension of the lower shares and a fixed upper share.

Type	Parabolic snow plough
Range	For 4- & 6-cylinder tractors, unimogs, trucks
Mountingtype	3-point attachment or municipal frame

STANDARD EQUIPMENT

- ▶ Hydraulic lateral adjustment $\pm 33^\circ$ with overload protection
- ▶ Pivoted swivel compensation
- ▶ Slide disc
- ▶ Parking supports
- ▶ Special-steel cutting edge screwed (150 x 20 mm)
- ▶ Warning flags
- ▶ LED-Lightening
- ▶ Powder coated

OPTIONAL EQUIPMENT

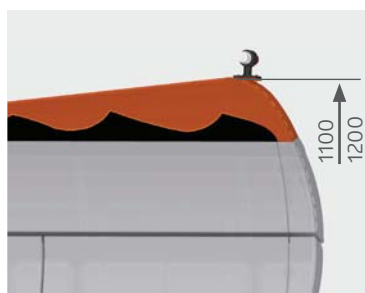
- ▶ Parking vehicle
- ▶ Snow deflector (plane) adjustable
- ▶ Rubber skirt for snow
- ▶ Guardrail shield
- ▶ Textile strengthened rubber strip (190 x 50 mm)
- ▶ Combi cutting edge (195 x 36 mm)
- ▶ Mechanical release device MGE (see page 34)
(only with municipal frame)
- ▶ Hydraulic load relief unit HGE (see page 34)
- ▶ Trailing wheels-solid rubber
- ▶ Pivoting device (swivel range approx. $\pm 14^\circ$)
- ▶ LED flash light
- ▶ Extension blade V screwed 1000/1100 mm / 1050/1200 mm
- ▶ Extension blade V screwed 1000/1100 mm / 1050/1200 mm
incl. rubber skirt for snow
- ▶ Extension blade G 1000 mm / 1100 mm incl. snow deflector
- ▶ Practical handy shovel with bracket

Upper plough unit

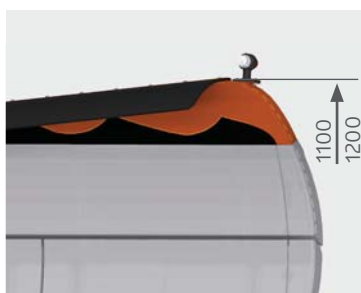
- ▶ fix - optimum removing snow in the toughest conditions anywhere.

Lower plough unit

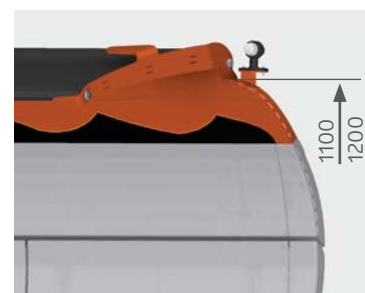
- ▶ Through this special parabolic option, obstacles as high as 20 cm can be overcome comfortably!



Extension blade V (screwed)
without rubber skirt for snow,
without snow deflector



Extension blade V (screwed)
incl. rubber skirt for snow
without snow deflector



Extension blade G
incl. snow deflector

Type	Total width	Clearing width *	Blade height min /max	Plough blades	Weight on 3-point attachment	Weight on municipal frame
PT-III-280	2800 mm	2400 mm	900/1200 mm	3	740 kg	820 kg
PT-III-300	3000 mm	2550 mm	900/1200 mm	3	770 kg	850 kg
PT-III-320	3200 mm	2700 mm	900/1200 mm	3	800 kg	890 kg

* Clearing width with 33° pivoting incl. edge reflector

SERIES SL



○ frame thickness 10 mm

Municipal plate



SNOW PLOUGH SL

The strongest snow plough - perfectly usable in the highest altitudes under hardest weather conditions!

Type	More blades, with parabolic released
Range	For 6-cylinder tractors, unimogs, trucks
Mountingtype	Municipal plate

STANDARD EQUIPMENT

- ▶ Hydraulic lateral adjustment $\pm 33^\circ$ with overload protection
- ▶ Pivoted swivel compensation
- ▶ Longitudinal adjustable parallel guidance with ball and socket joints
- ▶ Slide disc
- ▶ Parking supports
- ▶ Special-steel cutting edge screwed (150 x 20 mm)
- ▶ Warning flags
- ▶ LED-Lightening
- ▶ Powder coated

OPTIONAL EQUIPMENT

- ▶ Parking vehicle
- ▶ Snow deflector (plane) adjustable
- ▶ Rubber skirt for snow
- ▶ Protective shield made of steel-rubber elements
- ▶ Guardrail shield
- ▶ Textile strengthened rubber strip (190 x 50 mm)
- ▶ Textile strengthened rubber strip (195 x 36 mm)
- ▶ Cleaning edge with hydraulic adjustment
- ▶ Mechanical accumulator MGE (see page 34) (only with municipal frame)
- ▶ Hydraulic load relief unit HGE (see page 34)
- ▶ Trailing wheels-solid rubber
- ▶ Pivoting device (swivel range approx. $\pm 14^\circ$)
- ▶ LED flash light



Type	Total width	Clearing width *	Blade height center/side	Plough blades	Weight on municipal frame
SL-II-300	3000 mm	2550 mm	1200/1400 mm	2	1020 kg
SL-II-320	3200 mm	2700 mm	1200/1400 mm	2	1050 kg
SL-III-300	3000 mm	2550 mm	1200/1400 mm	3	1080 kg
SL-III-320	3200 mm	2700 mm	1200/1400 mm	3	1120 kg
SL-III-340	3400 mm	2850 mm	1200/1400 mm	3	1150 kg
SL-IV-360	3600 mm	3000 mm	1250/1500 mm	4	1275 kg
SL-IV-380	3800 mm	3150 mm	1250/1500 mm	4	1305 kg
SL-IV-400	4000 mm	3300 mm	1250/1500 mm	4	1335 kg

* Clearing width with 33° pivoting incl. edge reflector

SERIES ES



SNOW PLOUGH ES

The economically priced alternative solution!
The ideal partner for city center and local areas.

Type	More blades, with swivel link
Range	For 3-, 4- & 6-cylinder tractors, transporters, unimogs and trucks
Mountingtype	3-point attachment or municipal frame

STANDARD EQUIPMENT

- ▶ Hydraulic lateral adjustment $\pm 33^\circ$ with overload protection
- ▶ Pivoted swivel compensation
- ▶ Slide disc
- ▶ Parking supports
- ▶ Special-steel cutting edge screwed (150 x 20 mm)
- ▶ Warning flags
- ▶ LED-Lightening
- ▶ Powder coated

OPTIONAL EQUIPMENT

- ▶ Parking vehicle
- ▶ Snow deflector (plane) adjustable
- ▶ Rubber skirt for snow
- ▶ Protective shield made of steel-rubber elements
- ▶ Textile strengthened rubber strip (190 x 50 mm)
- ▶ Combi cutting edge (195 x 36 mm)
- ▶ Mechanical release device MGE (see page 34) (only with municipal frame)
- ▶ Hydraulic load relief unit HGE (see page 34)
- ▶ Trailing wheels-solid rubber
- ▶ Pivoting device (swivel range approx. $\pm 14^\circ$)
- ▶ LED flash light
- ▶ Screwable, height-adjustable support

3-point attachment

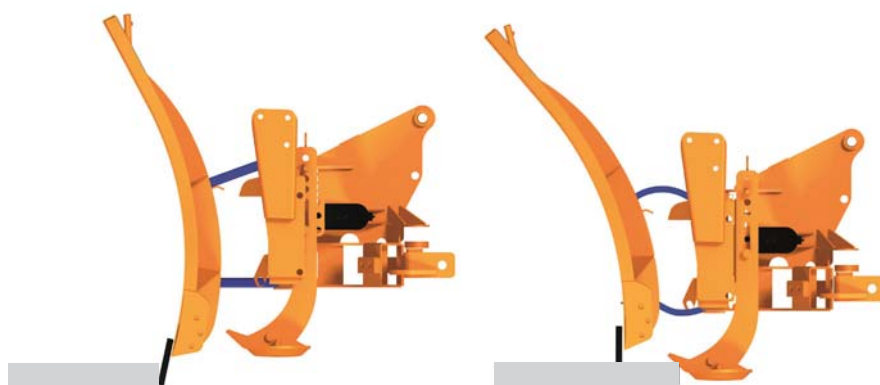


Municipal plate





1 Adjustable springs
2 Plastic-swivel link



Soft, smooth notching manner
Projection angle: 13°

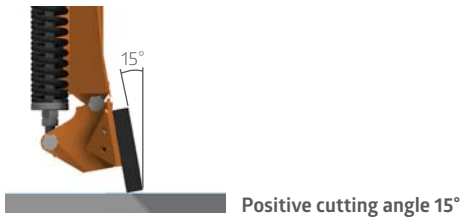
- ▶ Particular low noise with excellent damping properties of the plastic handlebar.
- ▶ Particular robust plastic handlebars guarantees softly evasion by hitting an obstacle.
- ▶ With springs the aggressiveness can be set individually if you hit an obstacle.

Type	Total width	Clearing width *	Blade height center/side	Plough blades	Weight on 3-point attachment	Weight on municipal frame
ES-III-280	2800 mm	2400 mm	1050/1150 mm	3	705 kg	790 kg
ES-III-300	3000 mm	2550 mm	1050/1150 mm	3	725 kg	810 kg
ES-III-320	3200 mm	2700 mm	1050/1150 mm	3	755 kg	840 kg
ES-IV-340	3400 mm	2850 mm	1050/1150 mm	4	775 kg	920 kg
ES-IV-360	3600 mm	3000 mm	1050/1150 mm	4	1065 kg	1190 kg

* Clearing width with 33° pivoting incl. edge reflector

V-SNOW PLOUGH

SERIES VP/VPS



3-point attachment



Municipal plate



Wheel loaders attachment



Electromagnetic diagonal switch valve
(12 V) for synchronisation of the blades
and for faster guidance as side plough



SNOW PLOUGH VP/VPS

V-plough can be used either as a pointed side or V-plough. It is highly recommended for clearing of pavements, crossroads, residential areas, parks and businesses where the snow has to be collected before being removed.

The positive cutting angle about 15° guarantees perfect snow removal.

Range For 3- & 4-cylinder tractors, transporters
Mountingtype 3-point attachment or municipal frame

STANDARD EQUIPMENT

- ▶ Electromagnetic diagonal switch valve for synchronisation of the blades and for faster guidance as side plough
- ▶ Slide disc
- ▶ Parking supports
- ▶ Special-steel cutting edge with automatic collisions safety system
- ▶ Warning flags
- ▶ LED-Lightening
- ▶ Powder coated

OPTIONAL EQUIPMENT

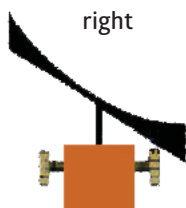
- ▶ Rubber skirt for snow
- ▶ Textile strengthened rubber strip (190 x 40 mm)
- ▶ Mechanical release device MGE (see page 34) (only with municipal frame)
- ▶ Hydraulic load relief unit HGE (see page 34)
- ▶ LED flash light
- ▶ Parking vehicle
- ▶ Trailing wheels-solid rubber



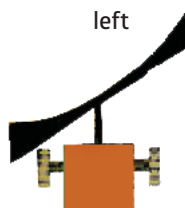
straight



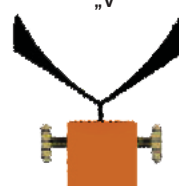
right



left



„V“



pointed

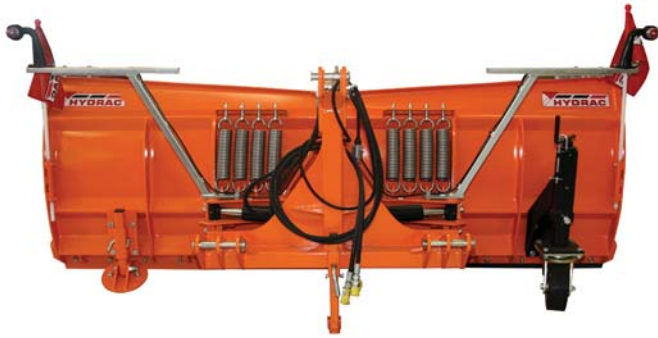


V-pough can be used either as a pointed-, side- or V-plough.

Type	Clearing width straight	Clearing width left, right, V & pointed	Blade height center/side	Turnability of blades	Positive cutting angle	Weight on 3-point attachment	Weight on municipal frame
VP-150	1500 mm	1300 mm	600/840 mm	±30°	0°	240 kg	-
VPS-180	1800 mm	1500 mm	510/700 mm	±38°	15°	380 kg	-
VPS-260	2600 mm	2160 mm	700/930 mm	±38°	15°	600 kg	710 kg
VPS-290	2900 mm	2410 mm	700/950 mm	±38°	15°	660 kg	770 kg
VPS-330	3300 mm	2740 mm	800/1050 mm	±38°	15°	750 kg	850 kg
VPS-370	3700 mm	3120 mm	900/1130 mm	±38°	15°	910 kg	1020 kg

SNOW BLADES

SERIES UNI



3-point attachment



Quick coupling triangle



Wheel loaders attachment



LED-Lightening

Trailing wheels-
solid rubber



UNIVERSAL SNOW BLADES

The development miracle! Perfect technology guarantees efficient snow removal on paths, streets and parking lots

Type One blade
Range For mounting at front or rear hydraulic
Mountingtype 3-point attachment 1 cat. & 2 cat.

STANDARD EQUIPMENT

- ▶ Hydraulic lateral adjustment ±30°
- ▶ Slide disc
- ▶ Special-steel cutting edge screwed (150 x 15 mm)
- ▶ Warning flags
- ▶ One blade with auto-clinch

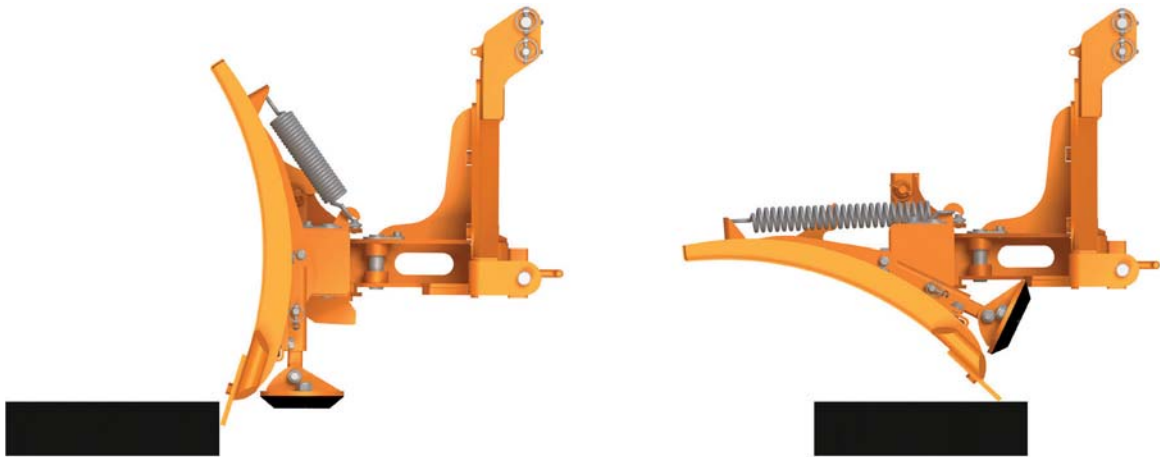
OPTIONAL EQUIPMENT

- ▶ Trailing wheels-solid rubber
- ▶ Pivoting device approx. ±14°
- ▶ Rubber skirt for snow
- ▶ LED-Lightening
- ▶ Textile strengthened rubber strip (190 x 40 mm)
- ▶ Fitting bracket for Frontloader
- ▶ Fitting bracket for Hoftracs, telescopeloaders & construction machines
- ▶ Fitting bracket for forklift

Type	Total width	Clearing width*	Blade height center/side	Weight on 3-point attachment
UNI-180**	1800 mm	1600 mm	750/860 mm	325 kg
UNI-200	2000 mm	1770 mm	750/860 mm	345 kg
UNI-230	2300 mm	2030 mm	750/860 mm	385 kg
UNI-250	2500 mm	2200 mm	750/860 mm	410 kg
UNI-270	2700 mm	2380 mm	750/860 mm	440 kg
UNI-290	2900 mm	2550 mm	750/860 mm	470 kg
UNI-310	3100 mm	2720 mm	750/860 mm	495 kg

* Clearing width with max. pivoting incl. edge reflector

** Trailing wheels-solid rubber not possible



Auto-clinch: Blade clinches forwards on attachment.
Resetting using adjustable springs.

SERIES SK



3-point attachment



Quick coupling triangle



COMPACT SNOW BLADES

It is specially used for sidewalks, factory premises and small streets.

Type One blade
Range For compact tractors with front linkage, frontloader, small hoftracs, forklifts
Mountingtype 3-point attachment 1 cat. & 2 cat.

STANDARD EQUIPMENT

- ▶ Pivoted swivel compensation
- ▶ Hydraulic lateral adjustment ±30° with 2 cylinders
- ▶ Slide disc
- ▶ Special-steel cutting edge screwed (100 x 15 mm)
- ▶ One blade with auto-clinch

OPTIONAL EQUIPMENT

- ▶ Trailing wheels-solid rubber
- ▶ LED-Lightening
- ▶ Textile strengthened rubber strip (190 x 40 mm)

Type	Total width	Clearing width *	Blade height center/side	with 3-point attachment
SK-130	1300 mm	1200 mm	685/750 mm	185 kg
SK-150	1500 mm	1370 mm	685/750 mm	195 kg
SK-170	1700 mm	1550 mm	685/750 mm	205 kg
SK-190	1900 mm	1720 mm	685/750 mm	215 kg
SK-210	2100 mm	1890 mm	685/750 mm	225 kg
SK-230	2300 mm	2030 mm	685/750 mm	235 kg

* Clearing width with max. pivoting incl. edge reflector

SERIES HSS



3-point attachment



REAR SNOW BLADE

Series HSS – mechanic, one blade and stronge – specially for light snow removal and grading work.

Type One blade, ATTENTION: no notching!
Range For small tractors, 3- & 4-cylinder tractors
Usage For light snow removal and grading work.
Mountingtype 3-point attachment. 1 cat & . 2 cat.

STANDARD EQUIPMENT

- ▶ Mechanical side adjustment $\pm 30^\circ$
- ▶ Parking supports
- ▶ 3-point attachment on front linkage (.1 cat. & 2 cat.)
- ▶ Skids
- ▶ Steel cutting edge welded

Type	Total width	Clearing width	Blad height center/side	Weight on 3-point attachment
HSS-170-L	1700 mm	1450 mm	750 mm	145 kg
HSS-220-L	2200 mm	1900 mm	750 mm	165 kg
HSS-250-L	2500 mm	2160 mm	750 mm	185 kg

SERIE FKP



SNOW BLADE

SERIE FKP – mechanic, one blade and stronge – specially for light snow removal and grading work .

Type One blade, spring flaps auto-clinch system
Range For small tractors, 3- & 4-cylinder-tractors
Usage For light snow removal and grading work .
Mountingtype 3-point attachment. 1 cat & . 2 cat. or front loader Euro-attachment

STANDARD EQUIPMENT

- ▶ Pivoted swivel compensation
- ▶ Hydraulic lateral adjustment $\pm 30^\circ$ with 2 cylinders
- ▶ Slide disc
- ▶ PU-Strip (175 x 50 mm) with suspension as collision protection (spring flaps auto-clinch system)
- ▶ One blade with spring flaps auto-clinch system

OPTIONAL EQUIPMENT

- ▶ LED-Lightening

Type	Total width	Clearing width	Blad height center/side	Weight on 3-point attachment
FKP-200	2000 mm	1800 mm	820 mm	290 kg
FKP-230	2300 mm	1890 mm	820 mm	320 kg
FKP-250	2500 mm	2200 mm	820 mm	340 kg
FKP-280	2800 mm	2500 mm	820 mm	370 kg

SERIES FKU



3-point attachment



Wheel loaders attachment



Municipal plate



Electromagnetic diagonal switch valve (12 V)

SNOW BALDE FKU

This flexible plough- for effective winter service in urban areas!

Two ± 90 ° swiveling side flaps allow flexible use in various broaching positions (side, U and S position) - especially for parking lots, operating areas, residential roads, etc.

Type Snow blade with spring flaps auto-clinchsystem
Range For 4- & 6-cylinder tractors
Mountingtype 3-point attachment

STANDARD EQUIPMENT

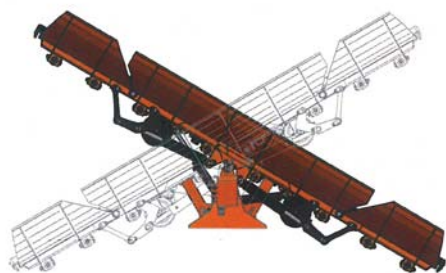
- ▶ Hydraulic lateral adjustment ±30° with overload protection
- ▶ Slide disc
- ▶ Parking supports
- ▶ Special-steel cutting edge screwed (150 x 20 mm)
- ▶ 15° positive cutting angle on the cutting edge
- ▶ Cutting edge with suspension
- ▶ Electric control panel
- ▶ Warning flags
- ▶ LED-Lightening
- ▶ Powder coated

OPTIONAL EQUIPMENT

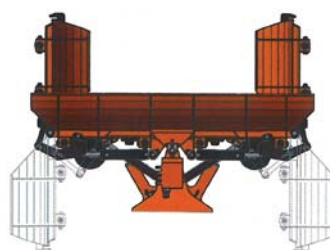
- ▶ Edge reflector
- ▶ Textile strengthened rubber strip (190 x 50 mm)
- ▶ Combi cutting edge (195 x 36 mm)
- ▶ LED flash light



straight position



side position



U-position



S-position

Type	Clearing width straight	Clearing width * "total"	Clearing width "U"	Clearing width "S" *	Blade height center/side	Turnability of blades	Weight on 3-point attachment
FKU-300	3000 mm	2650 mm	1600 mm	2010 mm	720	±90°	520 kg
FKU-440	4400 mm	3850 mm	2575 mm	2900 mm	1060 mm	±90°	1010 kg

* (Clearing width) with 30° pivoting incl. edge reflector

TELESCOPIC SNOW PLOUGH

SERIES TKP



Municipal plate



SNOW PLOUGH TKP

This variable plough- for effective winter service with trucks!

The rigid main plough can be variably extended in clearing width by a second extendable ploughshare.

Type Snow plough with telescopic function
Range Trucks
Mountingtype municipal frame

STANDARD EQUIPMENT

- ▶ Wheels
- ▶ Steel cutting edge screwed (150 x 20 mm)
- ▶ Screw coupling argus
- ▶ Pivoted swivel compensation
- ▶ Warning flags
- ▶ LED-Lightening
- ▶ Powder coated

OPTIONAL EQUIPMENT

- ▶ Textile strengthened rubber strip (190 x 50 mm)
- ▶ Combi cutting edge (195 x 36 mm)
- ▶ LED flash light
- ▶ Parking vehicle

Type	Total width	Clearing width *	Blade height center/side	Weight on municipal frame
TKP-360/540	3636/5436 mm	3078/4604 mm	1270 mm	1595 kg
TKP-420/730	4200/7300 mm	3554/6183 mm	1270 mm	2060 kg

* (Clearing width) with 33° pivoting incl. edge reflector

ALL FROM A SINGLE SOURCE

Patented System! ONE console for mounting of snow plough AND front linkage.
Integrated municipal frame. Changing between plate and FPTO is possible. Mounting of front PTO is possible anytime.

MUNICIPAL PLATE COMBI



Municipal plate for front linkage
Instead of the lowerlink incl. top link fixation suitable for HYDRAC front linkage



Swift transmission
For use of Unimog's implements; so that the tractor's PTO remains in the same position as the unimog 1000 rpm rotation direction right side.



front linkage USK
ONE console only for mounting of the front linkage and snow plough.

STANDARD EQUIPMENT

- ▶ for mounting of snow blade and front linkage F-USK
- ▶ standard with euro quick-change plate size 3. (hook size 630 mm, with plug-in bolt OR swivelling screw to be stated while ordering). Socket for lights.

4 Hydraulic lines

Socket for lighting



Euro quick-change plate size 3 with plug in bolts

- ▶ height adjustable
- ▶ removable
- ▶ plate individually on demand

Support beam

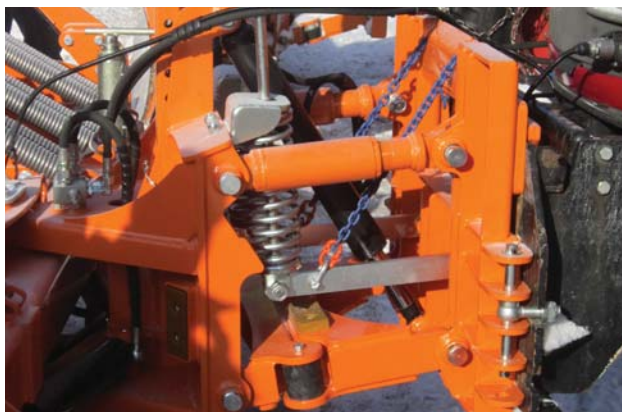


Support beam goes to the rear axle which provides best possible stiffness for the tractor.



MECHANICAL

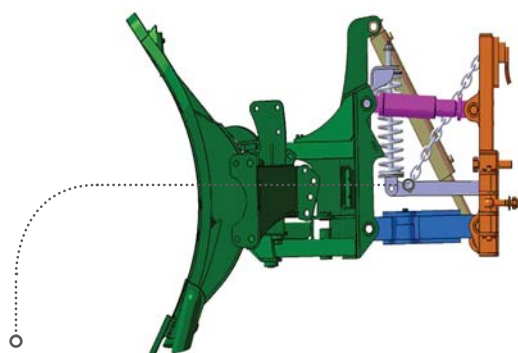
RELEASE DEVICE MGE



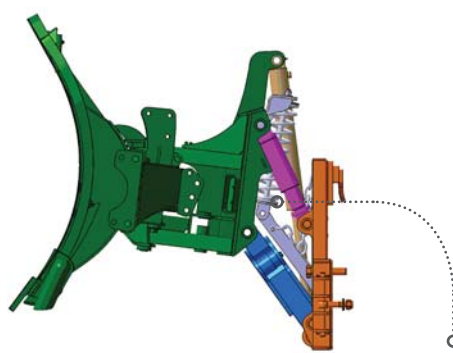
An innovation in the municipal sector, the mechanical devices relief for snow ploughs. A built-in mechanical snowplow equipment relief with two compression springs offers many advantages:

- ▶ The snow plough is relieved - the front axle load is increase
- ▶ Much better directional stability and driving safety is achieved
- ▶ The wear of the wear bar sinks.

In the raised position, the chain is released, an adjustment of the spring bias in clearing position can take place in this position, by varying the chain position easily.



The force on the front axle of the carrier will be increased the force on the snowplough will be reduced



Chain for adjusting the prestress in the clearing operation

HYDRAULIC

LOAD RELIEF UNIT HGE



An infinitely adjustable load relief of the snow plough or mower leads to an increasing front axle load - Advantages are:

- ▶ increases driving safety
- ▶ better tracking of the steering tires
- ▶ longer durability of the wearing plate

Easy operation via soft keys -easily adjustable, switched on and off.

ADAPTOR FRAME

FOR FENDT

For attachment to adaptor frame for tractors FENDT (without lifting cylinder and municipal frame)

Available for following types of snow ploughs:

- Series LB-II and LB-III
- Series ES-III and ES-IV
- Series U-II, U-III and U-III-CL
- Series PT-III
- Series SL-II and SL-III
- Series VP/VPS



WHEEL LOADER ATTACHMENT

FOR WHEEL- AND TELESCOPE LOADERS



Attachment for wheel loaders with stroke limitation instead of lift cylinders suitable for all ploughs.



Attachment for the most used mounting types



Adjustment bar for ground- and pivoted swivel compensation

OPTIONAL EQUIPMENT BY HYDRAC

HYDRAC offers a variety of options and optional equipment, which makes your machine even more universal and guarantees longer lasting.

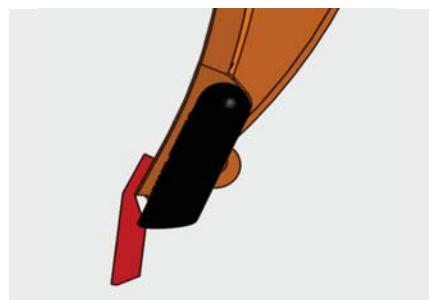
ALTERNATIVE WEARING PLATES



Textile strengthened rubber strip
very silent, especially for clearing slush and paving stones.



Combi cutting edge
Made of high grade steel, rubber and korund for extra long durability.



Combi cutting edge
screwed, with cutting angle of 9°.



Clamping system
for fast changing of the wear plate (on demand)



Cleaning edge
with hydraulic adjustment
Full notching of the cleaning edge guaranteed.
(see page 7)

SNOW SCREENS



Snow deflector
infinitely variable cover, overhanging branches 400 mm, adapted for snow drifts and on salt-water road.



Rubber skirt for snow
reinforced with fabric – overhanging branches 250 mm, for snow mixed with salt water, for very heavy snow.

MORE OPTIONS



Trailing wheels-solid rubber (size I)
infinitely variable through spindle, solid rubber or air tyres; Diameter 300 mm



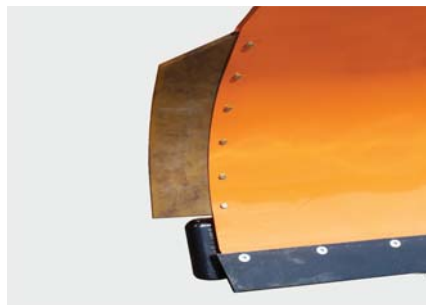
Trailing wheels-solid rubber (size II)
infinitely variable through spindle, solid rubber or air tyres; Diameter 360 mm



Hydraulic adjustable wheels
height adjustment of the trailing wheels-solid rubber from the cabin, a double-action control unit is necessary (or switch valve)



Parking vehicle
For easy moving of the snow plough.



Guardrail shield
The PU-wear plate protects against damage.



Skids
Height adjustment by unpinning



Pivoting device
e.g. for sidewalk cleaning



LED flash light
One light with 24 LED´s (white) will be positioned on the left side, to be seen for upcoming traffic.



BEST QUALITY
BY HYDRAC



salt



grit



brine

SPREADERS

QUALITY OF HYDRAC

Spreaders are synonymous with highly reliable spreading of salt, grit and salt water on all traffic roads. The sophisticated service-friendly design promises best spreading quality even under the most adverse conditions.

DISC SPREADERS | PAGE 42

SERIES T-R

Disc spreaders galvanized and painted
Self-loading unit
for salt and grit
3-point attachment



SERIES TN-R

Disc spreaders by INOX
for salt and grit
3-point attachment



SERIES TND-R

2-chamber system-disc spreaders
by INOX for salt and grit
3-point attachment



SERIES TNS-R

INOX SOLE-SPREADER for salt and
grit to 3-point attachment on tractors



DISC SPREADERS | PAGE 47

SERIES CL

Disc spreaders aus INOX
for salt and grit
3-point attachment



GRIT SPREADERS | PAGE 50


SERIES SL-R

Grit spreader. Self-loading,
for grit, 3-point attachment



LIQUID SPREADERS | PAGE 54


SERIES FSS

Liquid spreader,  powered by
3-point attachment



BULK SPREADERS | PAGE 52


SERIES CERTUS AST

Bulk Spreader  powered by
for salt, grit & brine for trucks




TOWED SPREADER | PAGE 55

SERIES TKB

Towed Spreader  powered by
for grit




SERIES SKE

Towed Spreader  powered by
for grit



CERTUS ITM

Towed Spreader  powered by
for grit



MECHANICAL

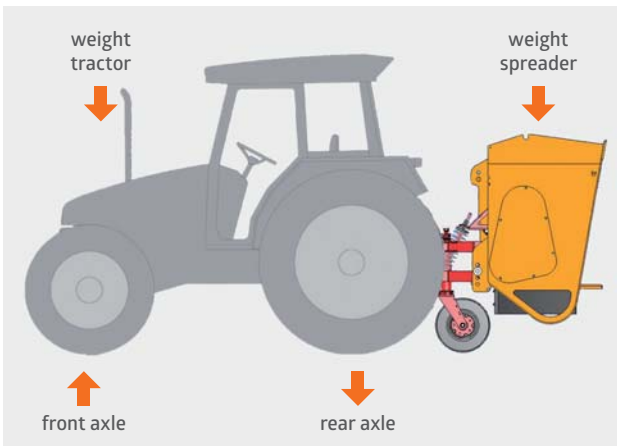
SPREADER RELIEF (MSE)



FOR SERIES T/TN/TND/TNS

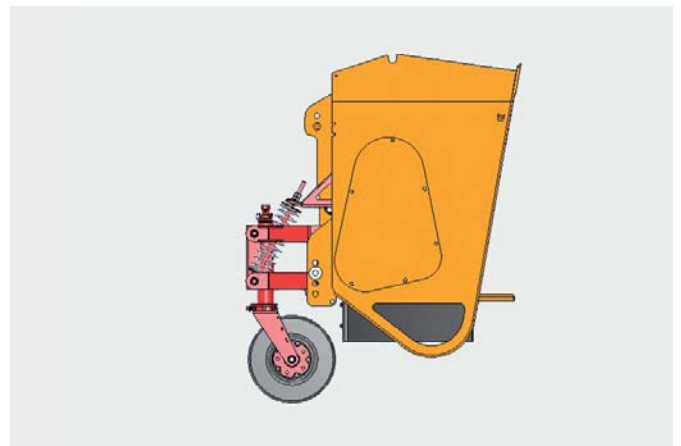
A rotating, spring-trailing wheel with parallel core is mounted centrally on the spreader. This removes the weight from the rear axle and the loading weight from the front axle.

In addition, stepless adaption to any road contours is ensured. The desired front axle pressure can be infinitely adjusted via the pressure spring which can be individually pretensioned by means of an adjusting spindle. Not possible for version with self-loading unit!



THE PROBLEM:

The rear self-supporting 3-point spreader relieves the front axle of the tractor, so that often sufficient ground pressure is not longer available. The more spreading material is loaded the less ground pressure remains on the front axle.



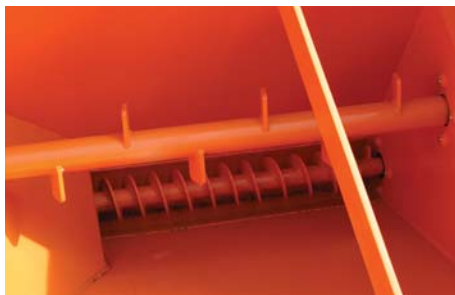
OUR SOLUTION:

Due to the mechanical spreader relief mounted directly on the spreader, up to 30% of the filling weight is shifted to the front axle. This results in significantly better direction stability and more traction, combined with perfect driving comfort!

SERIES T-R



Self-loading unit (Extra equipment)



Galvanized agitator shaft to counter clumping and facilitate continuous flow



Easy filling from the silo

DISC SPREADERS T-R

A synonym for high reliable spreading of salt and grit on all traffic routes. The sophisticated construction promises the best spreading-quality under the most adverse conditions.

The container is made of galvanized steel and both the screw conveyor and the agitator shaft are galvanized for a considerably longer service life.

Type	Self-loading unit
Range	Tractors
Mountingtype	3-point attachment
Use for	Salt and grit

STANDARD EQUIPMENT

- ▶ Galvanized agitator shaft (to reduce clumping and ensure continuous flow)
- ▶ Auger conveyor and agitator shaft-backwards by pushing a button
- ▶ Fully hydraulic drive by tractor hydraulic system
1 x DW (= double-acting) necessary
- ▶ All components are placed in the corpus (protected of weather conditions and splash-proof)
- ▶ Painting RAL 2011
- ▶ Proportional control valves with dirt filter
- ▶ Additional manual override for width and flow control
- ▶ Quantity regulation adjustment left/right/variable mechanical
- ▶ Center of gravity close to tractor
- ▶ Disc spreader 45 cm diameter
- ▶ Spray protection made of rubber
- ▶ Parking supports
- ▶ LED-Lightening
- ▶ Reflectable stickers (red/white) & winter-service-sticker

OPTIONAL EQUIPMENT

- ▶ Velocity dependent control for accurate application of spreading material when driving speed is changed, automatically stop of the material, when the vehicle is stopping. (see page 49) (Connection via signal socket on tractor)
- ▶ Electric spread pattern readjustment (only by electric remote control or velocity dependent control)
- ▶ LED rear work lights for spreading control
- ▶ Camera with LCD display for rear area monitoring
- ▶ Own oil supply
- ▶ Safety barrier Inox
- ▶ Cover folded over frame via one step application
- ▶ LED warning light
- ▶ Parking vehicle
- ▶ Velocity dependent control incl. USB interface for reading out spreading data and GPS position

3-point attachment





All hydraulic components are placed for easy access in the corpus (not exposed to the weather protected from splashing water).



TS-Pro

Velocity dependent control for fully automatic quantity regulation depending on the speed.



TS-Eco

Electrical remote control for quantity and distance regulation from the cabin.



Own oil supply



Camera with LCD display for rear area monitoring.

Type	Total width/ -height	Capacity	Weight	Spreader width	Spreader rate grit	Spreader rate salt
T-800-R	1600/1550 mm	720 l	625 kg	infinitely variable 1,5-8 m	infinitely variable 0-200 g/m ²	infinitely variable 0-50 g/m ²
T-1000-R	2100/1550 mm	1000 l	715 kg	infinitely variable 1,5-8 m	infinitely variable 0-200 g/m ²	infinitely variable 0-50 g/m ²
T-1400-R	2100/1800 mm	1400 l	810 kg	infinitely variable 1,5-8 m	infinitely variable 0-200 g/m ²	infinitely variable 0-50 g/m ²
T-1700-R	2100/1970 mm	1700 l	895 kg	infinitely variable 1,5-8 m	infinitely variable 0-200 g/m ²	infinitely variable 0-50 g/m ²

DISC SPREADERS

SERIES TN-R, TND-R



TND-R: 2-chamber-system (separation 50/50) for equally salt or grit spreading (separation 60/40 on demand). salt/grit – proportion infinitely variable.



Parking vehicle space-saving storage comfortable manoeuvring

3-point attachment



OPTIONAL EQUIPMENT

- ▶ Velocity dependent control for accurate application of spreading material when driving speed is changed, automatically stop of the material, when the vehicle is stopping. (see page 49) (Connection via signal socket on tractor)
- ▶ Electric spread pattern readjustment (only by electric remote control or velocity dependent control)
- ▶ LED rear work lights for spreading control
- ▶ Camera with LCD display for rear area monitoring
- ▶ Own oil supply
- ▶ Safety barrier Inox
- ▶ LED warning light
- ▶ Parking vehicle
- ▶ Velocity dependent control incl. USB interface for reading out spreading data and GPS position

DISC SPREADERS TN-R

Ideal for spreading salt or grit for professional and reliaste winter road maintenance service on roads, parking lots and local areas.

The corpus made of 4 mm high quality INOX material provide highest corrosion protection. Spread width is individually adjustable from 1,50 to 8,00 meters

DISC SPREADERS TND-R

A Unique - 2 chambers system allows a mixture of 2 different spreading materials e. g. salt/grit whilst driving!

Type	1-chamber (TN-R) or 2-chambers (TND-R)
Range	tractors
Mountingtype	3-point attachment
Use for	salt and grit

STANDARD EQUIPMENT

- ▶ Galvanized agitator shaft (to reduce clumping and ensure continous flow)
- ▶ Auger conveyor and agitator shaft-backwards by pushing a button
- ▶ Fully hydraulic drive by tractor hydraulic system 1 x DW (= double-acting) necessary
- ▶ All components are placed in the corpus (not exposed to the weather protected from splashing water)
- ▶ Painting RAL 2011
- ▶ Proportional control valves with dirt filter
- ▶ Additional manual override for width ans flow control
- ▶ Quantity regulation adjustment left/right/variable mechanical
- ▶ Center of gravity close to tractor
- ▶ Disc spreader 45 cm diameter
- ▶ Spray protection made of rubber
- ▶ Galvanized safety barrier (removable)
- ▶ Parking supports
- ▶ LED-Lighting
- ▶ Reflectable stickers (red/white) & winter-service-sticker



TS-Pro

Velocity dependent control for fully automatic quantity regulation depending on the speed.



TS-Eco

Electrical remote control for quantity and distance regulation from the cabin.



Own oil supply



Camera with LCD display for rear area monitoring.

Type	Total width/-height	Capacity	Weight	Spreader width	Spreader rate grit	Spreader rate salt
TN - 800 - R	1550/1550 mm	720 l	420 kg	infinitely variable 1,5-8 m	infinitely variable 0-200 g/m ²	infinitely variable 0-50 g/m ²
TN -1000-R	2140/1460 mm	1000 l	415 kg	infinitely variable 1,5-8 m	infinitely variable 0-200 g/m ²	infinitely variable 0-50 g/m ²
TN -1400-R	2140/1690 mm	1400 l	440 kg	infinitely variable 1,5-8 m	infinitely variable 0-200 g/m ²	infinitely variable 0-50 g/m ²
TN -1700-R	2140/1850 mm	1700 l	465 kg	infinitely variable 1,5-8 m	infinitely variable 0-200 g/m ²	infinitely variable 0-50 g/m ²
TND-1000-R	2140/1270 mm	1000 l	500 kg	infinitely variable 1,5-8 m	infinitely variable 0-200 g/m ²	infinitely variable 0-50 g/m ²
TND-1400-R	2140/1530 mm	1400 l	555 kg	infinitely variable 1,5-8 m	infinitely variable 0-200 g/m ²	infinitely variable 0-50 g/m ²
TND-1700-R	2140/1690 mm	1700 l	583 kg	infinitely variable 1,5-8 m	infinitely variable 0-200 g/m ²	infinitely variable 0-50 g/m ²

DISC SPREADERS

SERIES TNS-R



DISC SPREADERS TNS-R

The new salt water spreader completes the extensive range of spreaders. In addition to the proven dry containers, the TNS-R has an integrated brine (salt water) tank.

Depending on the application 0 - 30 % brine can be added to the dry salt to be spread. This leads to lower consumption of spreading material and better adhesion of the spreading material on the road.

ADVANTAGE OF PRE-WETTED SALT SPREADING FS30

- ▶ No losses into the roadside
- ▶ Better and longer adhesion of the salt to the road surface (100% spreading material = 70% salt + 30% salt water)
- ▶ Immediate thawing effect
- ▶ Preventive anti-icing

STANDARD EQUIPMENT

- ▶ Galvanized agitator shaft (to reduce clumping and ensure continuous flow)
- ▶ Auger conveyor and agitator shaft-backwards by pushing a button
- ▶ Fully hydraulic drive by tractor hydraulic system 1 x DW (= double-acting) necessary
- ▶ All components are placed in the corpus (protected of weather conditions and splash-proof)
- ▶ Painting RAL 2011
- ▶ Proportional control valves with dirt filter
- ▶ Additional manual override for width and flow control
- ▶ Quantity regulation adjustment left/right/variable mechanical
- ▶ Center of gravity close to tractor
- ▶ Disc spreader 45 cm diameter
- ▶ Spray protection made of rubber
- ▶ Galvanized safety barrier (removable)
- ▶ Parking supports
- ▶ LED-Lightening
- ▶ Reflectable stickers (red/white) & winter-service-sticker



TNS-R: brine tank inside

OPTIONAL EQUIPMENT

- ▶ Velocity dependent control for accurate application of spreading material when driving speed is changed, automatically stop of the material, when the vehicle is stopping. (see page 49) (Connection via signal socket on tractor)
- ▶ Electric spread pattern readjustment (only by electric remote control or velocity dependent control)
- ▶ LED rear work lights for spreading control
- ▶ Camera with LCD display for rear area monitoring
- ▶ Own oil supply
- ▶ Safety barrier Inox
- ▶ LED warning light
- ▶ Parking vehicle
- ▶ Velocity dependent control incl. USB interface for reading out spreading data and GPS position

Type	Total width/ -height	Capacity salt/ Sole	Weight	Spreader width	Spreader rate grit	Spreader rate salt
TNS-1400-R	2140/1530 mm	1100/400 l	495 kg	infinitely variable 1,5-8 m	infinitely variable 0-200 g/m ²	infinitely variable 0-50 g/m ²
TNS-1700-R	2140/1690 mm	1200/550 l	525 kg	infinitely variable 1,5-8 m	infinitely variable 0-200 g/m ²	infinitely variable 0-50 g/m ²

SERIES CL



DISC SPREADERS CL

Convinces by its simplicity and guarantees a professional winter service.

Range Tractors
Mountingtype 3-point attachment
Use for Salt and grit

STANDARD EQUIPMENT

- ▶ Container, disc spreader and width limiter made of INOX
- ▶ Operation through drive shaft (540 rpm)
- ▶ Drive shaft
- ▶ Spreader width and raten mechanical adjustable
- ▶ 6 mm strong frame made of galvanized steel, powder coated (RAL 2011)
- ▶ Galvanized safety barrier in spreader container
- ▶ 3-point attachment, 1 cat. & 2 cat.
- ▶ Agigator
- ▶ Lighting
- ▶ Cover
- ▶ Reflector
- ▶ Reflectable stickers

OPTIONAL EQUIPMENT

- ▶ Distance- and spreader raten controlling hydraulic adjustable from the cab - 1 x DW (= double-acting) necessary.
- ▶ Velocity dependent control for electric quantity regulation depending on the speed adjustable from the cabin.
- ▶ LED rear work lights for spreading control
- ▶ External temperature sensor (only with velocity-dependent control)



Agigator for salt



Safety barrier



Hydraulic remote control
For quantity and distance regulation from the cabin.
No automatic speed adjustment.



Velocity control
ST-Classic for fully automatic quantity regulation depending on the speed.

Type	Dimensions W/H/L	Capacity	Weight	Spreader width	Spreader rate grit	Spreader rate salt
CL-650-M	120/120/130 cm	650 l	175 kg	1,5-6 m	0-200 g/m ²	0-50 g/m ²

SERIES T-ASC



DISC SPREADERS T-ASC

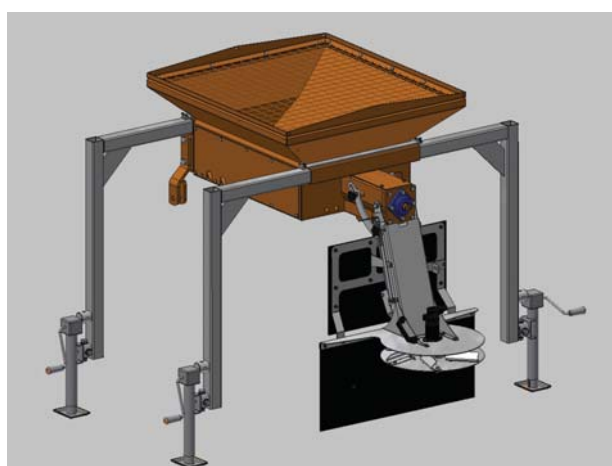
It is characterized by its simplest operation and very low construction. A reliable partner for spreading parking lots and roadways.

STANDARD EQUIPMENT

- ▶ Galvanized agitator shaft (to reduce clumping and ensure continuous flow)
- ▶ Back running function for screw conveyor and agitator shaft
- ▶ Fully hydraulic drive by tractor hydraulic system
1 x DW (= double-acting) necessary
- ▶ All components are placed in the corpus (not exposed to the weather protected from splashing water)
- ▶ Painting RAL 2011
- ▶ Proportional control valves with dirt filter
- ▶ Additional manual override for width and flow control
- ▶ Quantity regulation adjustment left/right/variable mechanical
- ▶ Center of gravity close to tractor
- ▶ Disc spreader 45 cm diameter
- ▶ Spray protection made of rubber
- ▶ Galvanized safety barrier (removable)
- ▶ Parking supports
- ▶ LED-lights

OPTIONAL EQUIPMENT

- ▶ Velocity dependent control for evenly application (see page 51)
- ▶ Electric spread pattern readjustment (only by electric remote control or velocity dependent control)
- ▶ LED rear work lights for spreading control
- ▶ Camera with LCD display for rear area monitoring
- ▶ Safety barrier INOX
- ▶ LED warning light
- ▶ Velocity dependent control incl. USB interface for reading out spreading data and GPS position
- ▶ Spray protection made of rubber
- ▶ Parking supports with wheels



Type	Dimensions W/H/L	Capacity	Weight	Spreader width	Spreader rate grit	Spreader rate salt
T-200-ASC	1670/960/1360 mm	200 l	215 kg	infinitely variable 1,5-8 m	infinitely variable 0-200 g/m ²	infinitely variable 0-50 g/m ²
T-300-ASC	1670/1670/1470 mm	300 l	230 kg	infinitely variable 1,5-8 m	infinitely variable 0-200 g/m ²	infinitely variable 0-50 g/m ²

REMOTE CONTROL TS-PRO

FOR SERIES T-R/TN-R

The operation of the spreader is always a huge topic to the winter service staff. We often hear that simplicity must be given so that the staff's concentration is dedicated to the road and the traffic

With the velocity-dependent TS-Pro, it has been possible to create simple operation between the driver and the spreader. **Simple - comprehensible - uncompromising - everything under control.**



FOR SERIES TND-R/TNS-R



Operating unit TS-Pro

- ▶ RS232-interface and flash drive
- ▶ Operating unit and display is luminated
- ▶ Rotary knobs for easy operation
- ▶ Easy individually installation from the external temperature sensor

SERIES SL-R



GRIT SPREADER SL

It is characterized by its easy use and simple, stable construction inclusive self-loading system. A reliable partner for grit spreading in parking lots and roadways.

Type	Self-loading unit
Range	Tractors
Mountingtype	3-point attachment
Use for	Salt and grit

STANDARD EQUIPMENT

- ▶ Stirring roller
- ▶ Hydraulic drive via oil engine
- ▶ Self loading unit with easily adjustable grit spreader (quantity regulation)
- ▶ Hydraulic top link (DW)
- ▶ Sandblasted, Painting RAL 2011

OPTIONAL EQUIPMENT

- ▶ Velocity-dependent control for fully automatic quantity regulation depending on the speed. (connected to a signal connector at the tractor)
- ▶ Electrical remote control for quantity regulation from the cabin. (only for SL-1200-R)
- ▶ Own oil supply
- ▶ Cover

3-point attachment



hydraulic top top link attachment with loading valve, for self loading

Type	Capacity	Spreader width	for tractors	Weight
SL-1000-R	200 l	1000 mm	ab 15 HP	180 kg
SL-1200-R	380 l	1120 mm	ab 40 HP	280 kg
SL-1800-R	850 l	1700 mm	ab 70 HP	385 kg
SL-2100-R	1100 l	2000 mm	ab 85 HP	490 kg
SL-2300-R	1500 l	2200 mm	ab 100 HP	595 kg



OPTIONAL EQUIPMENT



Self-loading unit for filling the corpus



ST-Classic

Velocity-dependent control
ST-Classic for fully automatic quantity
regulation depending on the speed.



Own oil supply



Electrical remote control for quantity
regulation from the cabin.

SERIES CERTUS AST



powered by  **epoke**

BULK SPREADER CERTUS AST

In 2015 HYDRAC exclusively took over Epoke's product range for the austrian market. Consequently HYDRAC is the completet supplier for truck's and UNIMOG's.

EPOKE is the truck professional for spreading grit, salt and brine (salt water) and this rounds off the HYDRAC range with its enormous product variety.

Type Bulk spreader
Range Trucks and unimogs
Use for Salt, grit and brine (salt water)

STANDARD EQUIPMENT

- ▶ Low construction height
- ▶ Modern Design
- ▶ Spacious, well protected hydraulicbox
- ▶ A centrally placed ladder
- ▶ A 2-stage automatic gear system

OPTIONAL EQUIPMENT

- ▶ EpoMaster® IV remote control
- ▶ Datacollection GSM & GPS
- ▶ EpoTherm (temperature-dependent quantity regulation)

ENGINE

- ▶ Trucks-hydraulic
- ▶ Diesel engine (23 HP, water-cooled)



Certus AST with a very low centre of gravity

Type	Capacity	Spreader width
CERTUS AST C6	6000 l	2000-12000 mm
CERTUS AST C7	7000 l	2000-12000 mm



EpoMaster® IV
remote control



Inspection ladder placed on spreading disc arrangement for easy and safe climb. (Optional with mixing chamber)



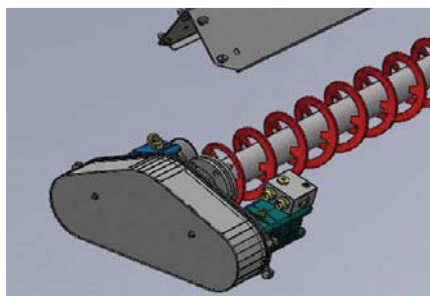
When the cover is folded up, the hopper is 100% open.



The liquid system is easy to maintain in combination with the powerful piston diaphragm pumps



3500-liter side tank capacity adapted to machine contour.



2-step automatic transmission ensuring high starting torque.



All control units tucked away in machine house under the motto "well protected, but easily accessible".

LIQUID SALT

PREVENTATIVELY AND ENVIRONMENTALLY FRIENDLY

SERIES FSS



powered by  **epoke®**



EpoMaster® IV
Remote Control

LIQUID SPREADER FSS

The target of spraying brine significantly reduces the consumption of gritting agent as well as the costs and also protects the environment at the same time.

Brine sprinkling is particularly effective not only on icy roads but also as a preventive measure.

The spreader FSS is specially designed for sodium chloride. A hydraulic drive with 1 x DW is required for operation.

ADVANTAGE OF BRINE

- ▶ No losses into the roadside
- ▶ Immediate thawing effect
- ▶ Preventive anti-icing

Type	Liquid spreader
Range	Tractors
Mountingtype	3-point attachment 2 cat.
Use for	Brine (salt water)

STANDARD EQUIPMENT

- ▶ Fully velocity-dependent control
- ▶ Spray bar for the application
- ▶ Hand-lance including 10m hose for mechanical removal eg on pavements

OPTIONAL EQUIPMENT

- ▶ EpoMaster® IV remote control

Type	Total width	Capacity	Spreader width	Weight
FSS 1350	2000 mm	1350 l	2000-6000 mm	810 kg

SERIES TKB



Type	Total width	Capacity	Spreader width	Weight
TKB 12-260	2600 mm	1200 l	2200 mm	670 kg
TKB 12-280	2800 mm	1200 l	2500 mm	710 kg

TOWED SPREADER TKB

Type Towed spreader
Range LKWs, Unimogs, tractoren
Use for grit

STANDARD EQUIPMENT

- ▶ Agitator
- ▶ Delivery roller and support wheel
- ▶ Electric remote control

SERIES SKE



Type	Total width	Capacity	Spreader width	Weight
SKE 20	2195 mm	1650 l	1918 mm	720 kg

TOWED SPREADER SKE 20

Type Towed spreader
Range LKWs, Unimogs, tractoren
Use for grit

STANDARD EQUIPMENT

- ▶ Agitator
- ▶ Electric remote control
- ▶ Level indicator

SERIES ITM



Type	Total width	Capacity	Spreader width	Weight
ITM 60	1885 mm	600 l	1461 mm	220 kg

TOWED SPREADER ITM 60

Type Towed spreader
Range Tractoren and flat truck
Use for grit

STANDARD EQUIPMENT

- ▶ Agitator
- ▶ Electric remote control
- ▶ Level indicator

HYDRAULIC-SYSTEM

MOUNTING PLATE FOR TRUCKS

With a truck hydraulic system from HYDRAC you can optionally equipped to professional use. Depending on the version there are up to 2 powerful, independently hydraulic circuits available. The functionally designed operating unit is easily and convenient operable by the driver.

SINGLE-CIRCUIT-HYDRAULIC-SYSTEM FOR TRUCKS – FOR SNOWPLOUGH

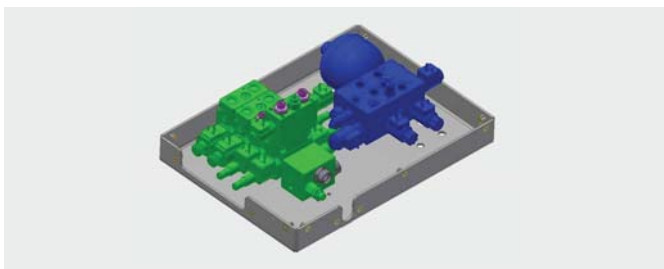
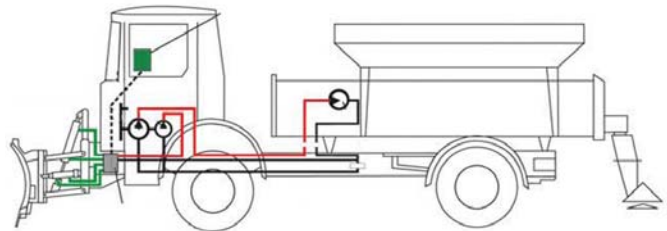
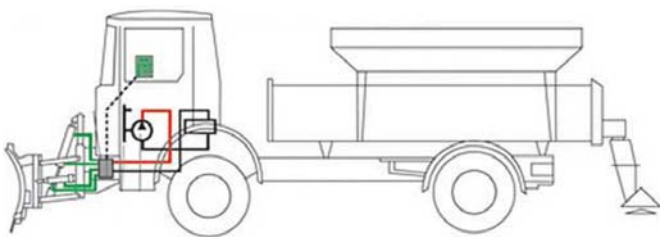
With hydraulic **single**-circuit pump to control snowblade (4-pipes with argus connectors, 7-pin 24V connector for lifting/ lowering, swing left/right). The pump is fixly mounted. The hydraulic-pump will be driven by belt or directly mounted on secondary drive. The relieve valve is adjustable from 150- 230 bar.

DUAL-CIRCUIT-HYDRAULIC-SYSTEM FOR TRUCKS – FOR SNOWPLOUGH AND SPREADER

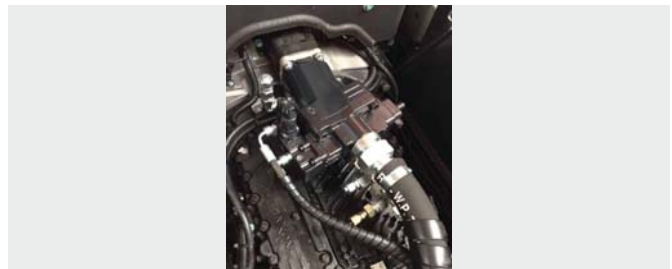
With double circuit pump to control of snow ploughs and for spreaders. The pump is fixly mounted. The second circuit is electronically switchable from the operators seat (black/white). The relieve valve is adjustable from 150- 230 bar.

Depending on the vehicle equipment will be fitted with

- ▶ OC (constant feed pump) or
- ▶ LS (optimal variable power) system.



Hydraulic Komponents are safe against splashing water and salt



Hydraulic pump protected the motor next to output.



ELEKTRO-PROPORTIONAL-JOYSTICK „PROFI-CONTROL“

- ▶ Floating position for the snow plough
- ▶ 3 buttons for extra functions (accumulator, spreader, cleaning edge with hydraulic adjustment, etc.)
- ▶ Ergonomically joystick-positioning



SNOW PLOUGH-CONNECTOR-PLATE

Bracket attachment plate for self mount without screws, without accessories, with support beam, for both EURO- and HYDRAC attachment



HGE- HYDRAULIC ACCUMULATOR

The weight of snow blade can be relieved stepless by a control box mounted inside in cabin. The force on the snow blade's cutting edge will be decreased, the force on the trucks front axle will be increased, the results are:

- ▶ Higher drive safety due to better manouverbility
- ▶ Better traction
- ▶ Better snow removal
- ▶ Better durability of cutting edge
- ▶ Protection of road-surface

OPTIONAL

- ▶ Oil tank
- ▶ Multiple-hose coupler instead of screw couplings

IF MOUNTAINS OF SNOW MUST BE MOVE





The snow blowers work accordingly to the 2 stage principle: 2 stable feed augers divide the snow effectively and convey it to the second stage of the large dimensioned ejection turbine, where it will be ejected powerfully.

SNOW BLOWERS SFT-PROFI



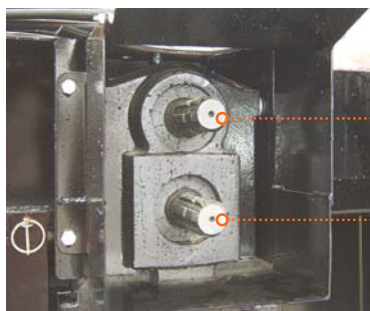
STANDARD EQUIPMENT

- ▶ Double gearbox (540 rpm left for rear- and 1000 rpm right in the direction of travel) for PTO
- ▶ 3-point rear and front mounting
- ▶ Drive shaft
- ▶ Powder coated
- ▶ Discharge chute, with hydraulic flap regulation



Type	Max. width	Working height	Milling screw		Rotor-diameter	Capacity	Throwing range	For tractors	Weight
			No.	Diameter					
SFT-250-Profi	2550 mm	1100 mm	1	850 mm	800 mm	15-25 m³/min	5-45 m	from 150 HP	1170 kg

SNOW BLOWERS SF



- 1000 rpm right (in the direction of travel)
- 540 rpm left (in the direction of travel)

very powerful HD-gear

STANDARD EQUIPMENT

- ▶ Drive shaft
- ▶ 3-point rear and front mounting
- ▶ Double gearbox (540 and 1000 rpm)
- ▶ Discharge chute, with hydraulic flap regulation
- ▶ Hydraulically readjustable discharge flaps
- ▶ Powder coated
- ▶ 2 Milling screw

OPTIONAL EQUIPMENT

- ▶ Longer loading chute with hydraulic readjustment of the discharge flap



Type	Max. width	Working height	Milling screw		Rotor-diameter	Capacity	Throwing range	For tractors	Weight
			No.	Diameter					
SF-200-HD	2000 mm	770 mm	2	340 mm	680 mm	10–12 m ³ /min	5–40 m	ab 50 HP	650 kg
SF-220-HD	2200 mm	770 mm	2	340 mm	680 mm	12–16 m ³ /min	5–40 m	ab 70 HP	675 kg
SF-240-HD	2400 mm	770 mm	2	340 mm	680 mm	12–16 m ³ /min	5–40 m	ab 80 HP	700 kg
SF-245-HD	2450 mm	900 mm	2	440/340 mm	800 mm	14–18 m ³ /min	5–40 m	ab 100 HP	1100 kg
SF-260-HD	2600 mm	1100 mm	2	500/340 mm	900 mm	16–22 m ³ /min	5–40 m	ab 120 HP	1460 kg



YOUR SPECIALIST FOR
LANDSCAPING AND ROAD CLEANING





SERIES BM



BM-6013



BM-6212 V



BM-5010 F (Front mounting)

HEDGE MOWER

The hedge mower is consisting of a hydraulically driven and adjustable mowing head with exchangeable blades. They are supported by a supporting roller during the mowing process.

The hydraulically operated boom allows the operator to work in any positions. The hydraulic swivelling of the arm when approaching obstacles is ensured by a pressurised gas accumulator!



Cable control



Electro control with joystick

Mountingtype Rear and front mounting

STANDARD EQUIPMENT

- ▶ Mower head with floating position
- ▶ Tandem hydraulic pump for mower head and jib
- ▶ Rotor shaft with 2 superimposed blades-spiral
- ▶ Control via cables
- ▶ Mower head front and rear guard made of wear resistant rubber
- ▶ Hydraulic collision safeguard (with BM-5110 =mechanical)
- ▶ Cage roller for mower head
- ▶ Adapter plater for mower head, pruning shear, etc.

OPTIONAL EQUIPMENT

- ▶ Elektro control with joystick
- ▶ Mount plate for municipal frame
- ▶ Rotating brushcutter cutting width up to 210 cm
- ▶ Hedge trimmer HS150/cutting width 150 cm, max. 3 cm branch diameter
- ▶ Pruning shear and hedge trimmer AS130/cutting width 130 cm, max. 8 cm branch diameter
- ▶ Pruning shear and hedge trimmer AS220/cutting width 220 cm, max. 8 cm branch diameter
- ▶ Blower GB31
- ▶ Safety kit for oil cooler (required while using a pruning shear and oil cooler)



Type	Working width mower head	Horizontal reach max.	Weight	For tractors	Oil tank capacity	PTO-Operation-rpm	Rotor speed	„Y“ shackled blade
BM-3208	80 cm	3,20 m	370 kg	from 20 HP	60 l	540 rpm	3200 rpm	40 pcs
BM-5110	100 cm	5,48 m	752 kg	from 50 HP	125 l	540 rpm	3100 rpm	36 pcs
BM-6013	125 cm	6,0 m	1050 kg	from 70 HP	137 l	540 rpm	3100 rpm	60 pcs
BM-6113	125 cm	6,0 m	1230 kg	from 100 HP	130 l	540 rpm	3000 rpm	60 pcs
BM-6212 V	120 cm	6,25m	1295 kg	from 100 HP	210 l	540 rpm	3000 rpm	48 pcs + 24 middle blades
BM-7012 Telescope	125 cm	7,20 m	1530 kg	from 120 HP	170 l	540 rpm	3000 rpm	60 pcs
BM-8012 Telescope	125 cm	8,20 m	1590 kg	from 120 HP	210 l	540 rpm	2800 rpm	60 pcs
BM-5010 F	100 cm	4,90 m	910 kg	from 80 HP	130 l	1000 rpm	2800 rpm	28 pcs + 14 middle blades
BM-5812 F	125 cm	5,75 m	1500 kg	from 140 HP	125 l	1000 rpm	3000 rpm	60 pcs

F (Front mounting)



Mount plate for municipal frame



Blower GB31
Ideal for mulching work



Rotating brush cutter
cutting width up to 210 cm



Pruning shear and hedge trimmer AS130 AS220



Hedge trimmer HS150



SERIES KBH



Coarse steel rope fill against persistent grass weed

3-point attachment



flata wire brush



Persistent grass is removed from its roots.

WEED BRUSH

HYDRAC-Weed brush is perfect for weed elimination without chemicals.

The Circular brush equipped with a set of flat wire bristles removes even the most persistent dirt. The mechanical side shift ensures that the weed is also easily removed in the marginal areas.

Type Tractors, hoftracs and wheel loaders
Mountingtype 3-point attachment, municipal frame size: 3 (optional) or EURO recording reinforced base plates

STANDARD EQUIPMENT

- ▶ Disk brush with flat wire \varnothing 2,8 mm
- ▶ Side translator hydraulically operated, 450 mm
- ▶ Trailing wheel height adjustable
- ▶ Rubber disc

OPTIONAL EQUIPMENT

- ▶ Angle adjustment (brush) hydraulically (1x DW necessary)
- ▶ Throttling valve mechanically for speed regulation

Type	Bristle trimming \varnothing	Switchable in direction of rotation	Required oil quality	Side translator	Angle adjustment
Weed brush KBH-750	750 mm	right/left	20 l/min bei 180 bar	450 mm	+/- 8°

ALL FROM A SINGLE SOURCE

MUNICIPAL PROGRAM FOR TRACTORS



MUNICIPAL PROGRAM FOR TRUCKS





Dealer:

www.hydrac.com

HYDRAC Pühringer GmbH&CoKG
Kommunal- und Landtechnik
Primitstraße 4, AT-4523 Sierning
tel +43-7259-6000-0 · fax +43-7259-6000-40
office@hydrac.com · www.hydrac.com

Errors and modifications reserved.
Information subject to change without prior notice.
40801090 – 20221107 © HYDRAC

